

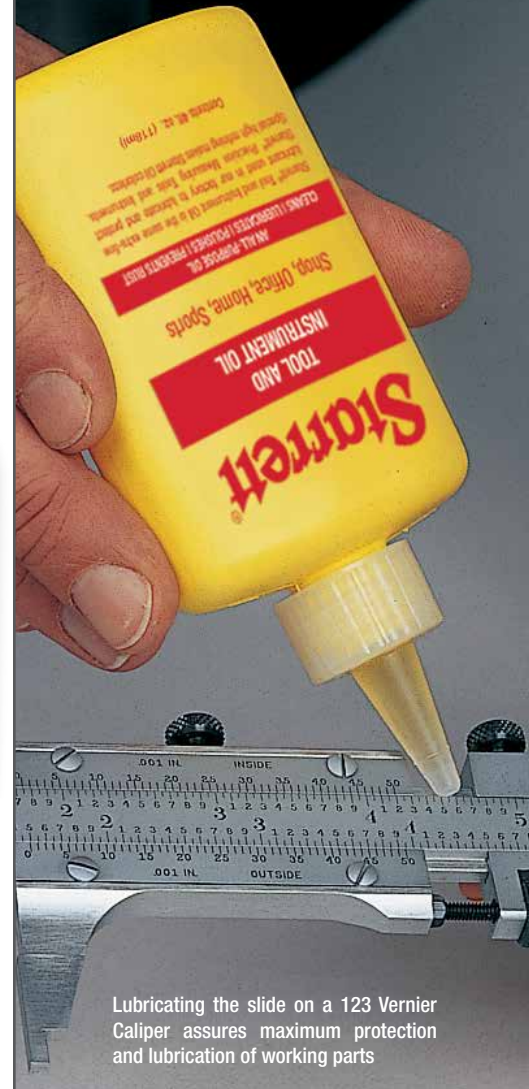
## PRECISION SHOP TOOLS

### 1620 TOOL AND INSTRUMENT OIL

Special high-refining process makes Starrett Tool and Instrument Oil colorless, ensures thorough lubrication of close-fitting parts at extreme temperatures and provides a strong, lasting film over all areas requiring protection against rust.

#### FEATURES

- This oil is made to our specifications and used in our factory to lubricate and protect our precision measuring tools and instruments
- General purpose lubricant for a wide range of applications
- Ideal for maximum protection and lubrication of measuring tools, precision instruments and light machinery
- Guards highly finished tools, parts and machined surfaces against rust
- Protects firearms, fishing tackle and other sporting equipment and keeps working parts in perfect condition
- Cleans bright metals and polishes furniture
- Starrett oil can also be used for automobile generators, starters, hinges, locks, and springs



Lubricating the slide on a 123 Vernier Caliper assures maximum protection and lubrication of working parts

#### 1620 Tool and Instrument Oil

Cat. No.	EDP	Description
1620	53216	4 fl. oz. (0.1 liter) plastic bottle

### 706 INSPECTION BLOCKS

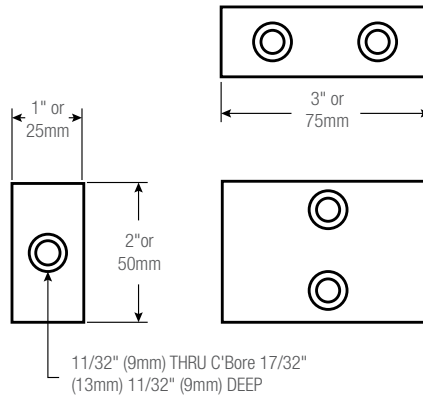
1 X 2 X 3"

### 706M INSPECTION BLOCKS

25 X 50 X 75MM

These Inspection Blocks are manufactured to precision tolerances, and are of great value for all inspection laboratories and in-shop setups where positioning is important.

- High accuracy
- Hardened steel, ground and lapped
- Matched pair available



#### Inch Blocks

Cat. No.	EDP	Description
706AZ	57121	Single 1 x 2 x 3" block in case
706BZ	57122	Matched pair in case

#### Millimeter Blocks

Cat. No.	EDP	Description
706MAZ	64968	Single 25 x 50 x 75mm block in case
706MBZ	64969	Matched pair in case

#### Specifications

Block Dimensions	1 x 2 x 3" (25 x 50 x 75mm)
Parallelism	.0001" (0.003mm)
Squareness	.0001 in/in (0.003mm/25mm)
Hardness	RC 63-65
Flatness	.0001" (0.003mm)



706BZ

